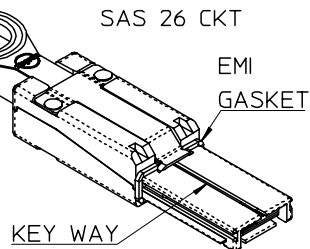


SEE DETAIL1

DETAIL1
SCALE 2:1



LANE LINK 4X

I-PASS™ IS A TRADEMARK OF MOLEX

NOTES:

- MATERIAL
BACKSHELLS - ZINC DIECAST
PULL- MOLDED PLASTIC
- LENGTH= SEE TABLE
- ELECTRICAL PERFORMANCE AS PER SERIAL ATTACH SCSI 1.1
- SAS PLUG MATES TO RECEPTACLE 75586 SERIES,
AND EMI HOUSING ASSY, 74548-100
- 4X LANE LINK COMPLIES WITH SFF-8470
- THIS PRODUCT MEETS THE RESTRICTION OF HAZARDOUS SUBSTANCES
IN ELECTRICAL AND ELECTRONIC EQUIPMENT (RoHS) DIRECTIVE
(2002/95/EC)

| | | | | | | | | | | | | |
|--|--|-------------------------------|--|----------------------|----------------------------|----------------------|---------------|------------------------------|------------------------|---|--|--|
| ENTER DESCRIPTION EC NO: USY2007-0468 DRWN: SNAVARRO CHKD: DDOYE APPR: DDOYE | 2007/06/22 2007/06/22 2007/06/25 | QUALITY SYMBOLS ▽=0 ▽=0 | GENERAL TOLERANCES (UNLESS SPECIFIED) | | DIMENSION STYLE MM ONLY | | SCALE 1:1 | DESIGN UNITS METRIC | THIRD ANGLE PROJECTION | | | |
| | | | 4 PLACES ± --- ± --- | 3 PLACES ± --- ± --- | 2 PLACES ± 0.13 ± --- | 1 PLACE ± 0.25 ± --- | ANGULAR ±1/2° | DRAWN BY KPHILL IPS | DATE 2005/09/06 | TITLE I-PASS X4 26 CKT TO LANE LINK 4X CBL ASSY PLUG TO PLUG | | |
| | | | DRAFT WHERE APPLICABLE MUST REMAIN WITHIN DIMENSIONS | | | | | APPROVED BY DDOYE | DATE 2005/09/06 | MOLEX INCORPORATED | | |
| | | | MATERIAL NO. SEE TABLE | | | | | DOCUMENT NO. SD-74547-200 | | SHEET NO. 1 OF 4 | | |

KEYING IDENTIFIER
SAS

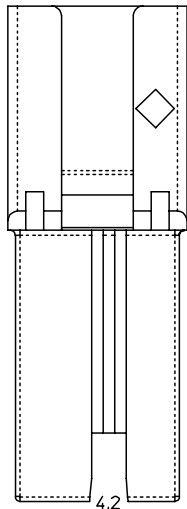
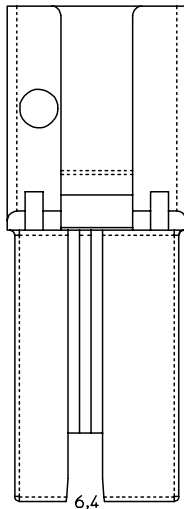
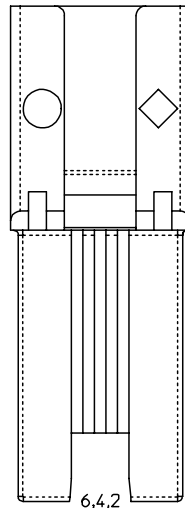


TABLE
ROUTING



SUBTRACTIVE
ROUTING



UNIVERSAL
KEY

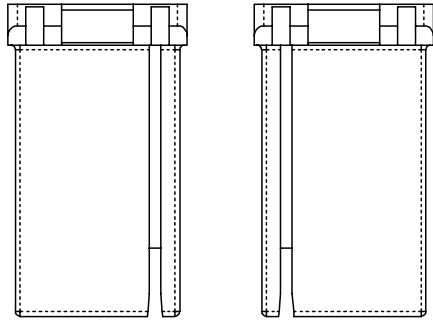
| Material Number | Description | GAUGE | LENGTH | KEY | IDENTIFIER |
|-----------------|--|-------|-------------|----------|------------------------------------|
| 74547-2021 | x4 SAS TO 4X LANE LINK JACK SCREW CABLE ASSEMBLY | 28 | 1M | 2.4 | TABLE ROUTING (OUT PORT), SAS |
| 74547-2022 | x4 SAS TO 4X LANE LINK JACK SCREW CABLE ASSEMBLY | 28 | 2M | 2.4 | TABLE ROUTING (OUT PORT), SAS |
| 74547-2023 | x4 SAS TO 4X LANE LINK JACK SCREW CABLE ASSEMBLY | 28 | 3M | 2.4 | TABLE ROUTING (OUT PORT), SAS |
| 74547-2024 | x4 SAS TO 4X LANE LINK JACK SCREW CABLE ASSEMBLY | 28 | 4M | 2.4 | TABLE ROUTING (OUT PORT), SAS |
| 74547-2025 | x4 SAS TO 4X LANE LINK JACK SCREW CABLE ASSEMBLY | 26 | 5M | 2.4 | TABLE ROUTING (OUT PORT), SAS |
| 74547-2026 | x4 SAS TO 4X LANE LINK JACK SCREW CABLE ASSEMBLY | 24 | 6M | 2.4 | TABLE ROUTING (OUT PORT), SAS |
| 74547-2027 | x4 SAS TO 4X LANE LINK JACK SCREW CABLE ASSEMBLY | 24 | 7M Δ | 2.4 | TABLE ROUTING (OUT PORT), SAS |
| 74547-2028 | x4 SAS TO 4X LANE LINK JACK SCREW CABLE ASSEMBLY | 24 | 8M Δ | 2.4 | TABLE ROUTING (OUT PORT), SAS |
| 74547-2029 | x4 SAS TO 4X LANE LINK JACK SCREW CABLE ASSEMBLY | 28 | 0.25M | 2.4 | TABLE ROUTING (OUT PORT), SAS |
| 74547-2030 | x4 SAS TO 4X LANE LINK JACK SCREW CABLE ASSEMBLY | 28 | 0.5M | 2.4 | TABLE ROUTING (OUT PORT), SAS |
| 74547-2041 | x4 SAS TO 4X LANE LINK JACK SCREW CABLE ASSEMBLY | 28 | 1M | 4.6 | SUBTRACTIVE ROUTING (IN PORT), SAS |
| 74547-2042 | x4 SAS TO 4X LANE LINK JACK SCREW CABLE ASSEMBLY | 28 | 2M | 4.6 | SUBTRACTIVE ROUTING (IN PORT), SAS |
| 74547-2043 | x4 SAS TO 4X LANE LINK JACK SCREW CABLE ASSEMBLY | 28 | 3M | 4.6 | SUBTRACTIVE ROUTING (IN PORT), SAS |
| 74547-2044 | x4 SAS TO 4X LANE LINK JACK SCREW CABLE ASSEMBLY | 28 | 4M | 4.6 | SUBTRACTIVE ROUTING (IN PORT), SAS |
| 74547-2045 | x4 SAS TO 4X LANE LINK JACK SCREW CABLE ASSEMBLY | 26 | 5M | 4.6 | SUBTRACTIVE ROUTING (IN PORT), SAS |
| 74547-2046 | x4 SAS TO 4X LANE LINK JACK SCREW CABLE ASSEMBLY | 24 | 6M | 4.6 | SUBTRACTIVE ROUTING (IN PORT), SAS |
| 74547-2047 | x4 SAS TO 4X LANE LINK JACK SCREW CABLE ASSEMBLY | 24 | 7M Δ | 4.6 | SUBTRACTIVE ROUTING (IN PORT), SAS |
| 74547-2048 | x4 SAS TO 4X LANE LINK JACK SCREW CABLE ASSEMBLY | 24 | 8M Δ | 4.6 | SUBTRACTIVE ROUTING (IN PORT), SAS |
| 74547-2049 | x4 SAS TO 4X LANE LINK JACK SCREW CABLE ASSEMBLY | 28 | 0.25M | 4.6 | SUBTRACTIVE ROUTING (IN PORT), SAS |
| 74547-2050 | x4 SAS TO 4X LANE LINK JACK SCREW CABLE ASSEMBLY | 28 | 0.5M | 4.6 | SUBTRACTIVE ROUTING (IN PORT), SAS |
| 74547-2051 | x4 SAS TO 4X LANE LINK JACK SCREW CABLE ASSEMBLY | 28 | 1M | 2.4, 4.6 | UNIVERSAL KEY, SAS |
| 74547-2052 | x4 SAS TO 4X LANE LINK JACK SCREW CABLE ASSEMBLY | 28 | 2M | 2.4, 4.6 | UNIVERSAL KEY, SAS |
| 74547-2053 | x4 SAS TO 4X LANE LINK JACK SCREW CABLE ASSEMBLY | 28 | 3M | 2.4, 4.6 | UNIVERSAL KEY, SAS |
| 74547-2054 | x4 SAS TO 4X LANE LINK JACK SCREW CABLE ASSEMBLY | 28 | 4M | 2.4, 4.6 | UNIVERSAL KEY, SAS |
| 74547-2055 | x4 SAS TO 4X LANE LINK JACK SCREW CABLE ASSEMBLY | 26 | 5M | 2.4, 4.6 | UNIVERSAL KEY, SAS |
| 74547-2056 | x4 SAS TO 4X LANE LINK JACK SCREW CABLE ASSEMBLY | 24 | 6M | 2.4, 4.6 | UNIVERSAL KEY, SAS |
| 74547-2057 | x4 SAS TO 4X LANE LINK JACK SCREW CABLE ASSEMBLY | 24 | 7M Δ | 2.4, 4.6 | UNIVERSAL KEY, SAS |
| 74547-2058 | x4 SAS TO 4X LANE LINK JACK SCREW CABLE ASSEMBLY | 24 | 8M Δ | 2.4, 4.6 | UNIVERSAL KEY, SAS |
| 74547-2059 | x4 SAS TO 4X LANE LINK JACK SCREW CABLE ASSEMBLY | 28 | 0.25M | 2.4, 4.6 | UNIVERSAL KEY, SAS |
| 74547-2060 | x4 SAS TO 4X LANE LINK JACK SCREW CABLE ASSEMBLY | 28 | 0.5M | 2.4, 4.6 | UNIVERSAL KEY, SAS |

Δ - NOT COMPLIANT WITH INSERTION
LOSS SPEC PER SAS 1.1.

IPASS™ IS A TRADEMARK OF MOLEX

| ENTER DESCRIPTION EC NO: USY2007-0468 DRWN: SNAVARRO 2007/06/22 CHKD: DDOYE 2007/06/22 APPR: DDOYE 2007/06/25 | QUALITY SYMBOLS $\nabla=0$ $\nabla=0$ | GENERAL TOLERANCES (UNLESS SPECIFIED) <table border="1"> <tr><th></th><th>mm</th><th>INCH</th></tr> <tr><td>4 PLACES</td><td>\pm---</td><td>\pm---</td></tr> <tr><td>3 PLACES</td><td>\pm---</td><td>\pm---</td></tr> <tr><td>2 PLACES</td><td>\pm0.13</td><td>\pm---</td></tr> <tr><td>1 PLACE</td><td>\pm0.25</td><td>\pm---</td></tr> </table> | | mm | INCH | 4 PLACES | \pm --- | \pm --- | 3 PLACES | \pm --- | \pm --- | 2 PLACES | \pm 0.13 | \pm --- | 1 PLACE | \pm 0.25 | \pm --- | DIMENSION STYLE MM ONLY DRAWN BY: KPHILL IPS DATE: 2005/09/06 CHECKED BY: T. HALL DATE: 2005/09/06 APPROVED BY: DDOYE DATE: 2005/09/06 | SCALE: 1:1 DESIGN UNITS: METRIC THIRD ANGLE PROJECTION |
|---|---|--|-------------------|----|------|----------|-----------|-----------|----------|-----------|-----------|----------|------------|-----------|---------|------------|-----------|--|--|
| | | mm | INCH | | | | | | | | | | | | | | | | |
| | 4 PLACES | \pm --- | \pm --- | | | | | | | | | | | | | | | | |
| | 3 PLACES | \pm --- | \pm --- | | | | | | | | | | | | | | | | |
| 2 PLACES | \pm 0.13 | \pm --- | | | | | | | | | | | | | | | | | |
| 1 PLACE | \pm 0.25 | \pm --- | | | | | | | | | | | | | | | | | |
| DRAFT WHERE APPLICABLE MUST REMAIN WITHIN DIMENSIONS | MATERIAL NO.: SEE TABLE SIZE: B THIS DRAWING CONTAINS INFORMATION THAT IS PROPRIETARY TO MOLEX INCORPORATED AND SHOULD NOT BE USED WITHOUT WRITTEN PERMISSION | TITLE: I-PASS X4 26 CKT TO LANE LINK 4X CBL ASSY PLUG TO PLUG MOLEX INCORPORATED DOCUMENT NO.: SD-74547-200 | SHEET NO.: 2 OF 4 | | | | | | | | | | | | | | | | |

10 9 8 7 6 5 4 3 2 1

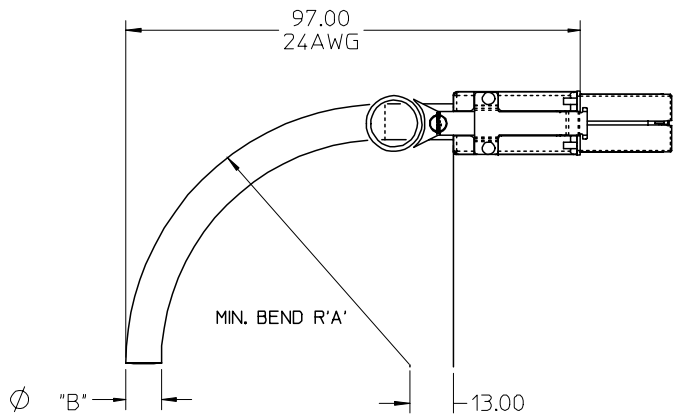


*X' CABLE

*M' CABLE

| Material Number | Description | GAUGE | LENGTH | KEY | IDENTIFIER |
|-----------------|---|-------|-------------|-----|---------------|
| 74547-2001 | x4 SATA TO 4X LANE LINK JACK SCREW CABLE ASSEMBLY | 28 | 1M | 1.4 | X CABLE, SATA |
| 74547-2002 | x4 SATA TO 4X LANE LINK JACK SCREW CABLE ASSEMBLY | 28 | 2M | 1.4 | X CABLE, SATA |
| 74547-2003 | x4 SATA TO 4X LANE LINK JACK SCREW CABLE ASSEMBLY | 28 | 3M | 1.4 | X CABLE, SATA |
| 74547-2004 | x4 SATA TO 4X LANE LINK JACK SCREW CABLE ASSEMBLY | 28 | 4M | 1.4 | X CABLE, SATA |
| 74547-2005 | x4 SATA TO 4X LANE LINK JACK SCREW CABLE ASSEMBLY | 26 | 5M | 1.4 | X CABLE, SATA |
| 74547-2006 | x4 SATA TO 4X LANE LINK JACK SCREW CABLE ASSEMBLY | 24 | 6M | 1.4 | X CABLE, SATA |
| 74547-2007 | x4 SATA TO 4X LANE LINK JACK SCREW CABLE ASSEMBLY | 24 | 7M Δ | 1.4 | X CABLE, SATA |
| 74547-2008 | x4 SATA TO 4X LANE LINK JACK SCREW CABLE ASSEMBLY | 24 | 8M Δ | 1.4 | X CABLE, SATA |
| 74547-2009 | x4 SATA TO 4X LANE LINK JACK SCREW CABLE ASSEMBLY | 28 | 0.25M | 1.4 | X CABLE, SATA |
| 74547-2010 | x4 SATA TO 4X LANE LINK JACK SCREW CABLE ASSEMBLY | 28 | 0.5M | 1.4 | X CABLE, SATA |
| 74547-2061 | x4 SATA TO 4X LANE LINK JACK SCREW CABLE ASSEMBLY | 28 | 1M | 7 | M CABLE, SATA |
| 74547-2062 | x4 SATA TO 4X LANE LINK JACK SCREW CABLE ASSEMBLY | 28 | 2M | 7 | M CABLE, SATA |
| 74547-2063 | x4 SATA TO 4X LANE LINK JACK SCREW CABLE ASSEMBLY | 28 | 3M | 7 | M CABLE, SATA |
| 74547-2064 | x4 SATA TO 4X LANE LINK JACK SCREW CABLE ASSEMBLY | 28 | 4M | 7 | M CABLE, SATA |
| 74547-2065 | x4 SATA TO 4X LANE LINK JACK SCREW CABLE ASSEMBLY | 26 | 5M | 7 | M CABLE, SATA |
| 74547-2066 | x4 SATA TO 4X LANE LINK JACK SCREW CABLE ASSEMBLY | 24 | 6M | 7 | M CABLE, SATA |
| 74547-2067 | x4 SATA TO 4X LANE LINK JACK SCREW CABLE ASSEMBLY | 24 | 7M | 7 | M CABLE, SATA |
| 74547-2068 | x4 SATA TO 4X LANE LINK JACK SCREW CABLE ASSEMBLY | 24 | 8M | 7 | M CABLE, SATA |
| 74547-2069 | x4 SATA TO 4X LANE LINK JACK SCREW CABLE ASSEMBLY | 28 | 0.25M | 7 | M CABLE, SATA |
| 74547-2070 | x4 SATA TO 4X LANE LINK JACK SCREW CABLE ASSEMBLY | 28 | 0.5M | 7 | M CABLE, SATA |

Δ - NOT COMPLIANT WITH INSERTION LOSS SPEC PER SAS 1.1.



| CABLE | A | B |
|-------|------|-------|
| 24AWG | 46.9 | 10.40 |
| 26AWG | 41.7 | 9.30 |
| 28AWG | 37.7 | 8.40 |

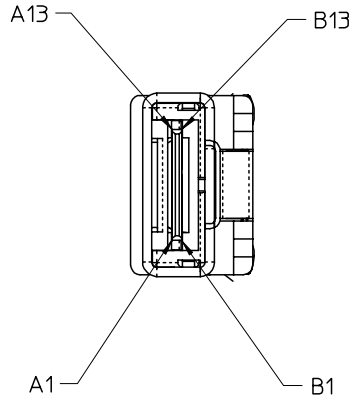
IPASS™ IS A TRADEMARK OF MOLEX

| | | | | | | | | | |
|---|-------------------------------|---------------------------------------|--|---|--|------------------------------|------------------------|---|--|
| ENTER DESCRIPTION EC NO: USY2007-0468 DRWN: SNAVARRO 2007/06/22 CHKD: DDOYE 2007/06/22 APPR: DDOYE 2007/06/25 | QUALITY SYMBOLS ▽=0 ▽=0 | GENERAL TOLERANCES (UNLESS SPECIFIED) | | DIMENSION STYLE MM ONLY | | SCALE 1:1 | DESIGN UNITS METRIC | THIRD ANGLE PROJECTION | |
| | | | | DRAWN BY KPHILL IPS | | DATE 2005/09/06 | | TITLE I-PASS X4 26 CKT TO LANE LINK 4X CBL ASSY PLUG TO PLUG | |
| | | | | CHECKED BY T. HALL | | DATE 2005/09/06 | | | |
| | | | | APPROVED BY DDOYE | | DATE 2005/09/06 | | MOLEX INCORPORATED | |
| | | ANGULAR $\pm 1/2^\circ$ | | MATERIAL NO. SEE TABLE | | DOCUMENT NO. SD-74547-200 | | SHEET NO. 3 OF 4 | |
| DRAFT WHERE APPLICABLE MUST REMAIN WITHIN DIMENSIONS | | | | THIS DRAWING CONTAINS INFORMATION THAT IS PROPRIETARY TO MOLEX INCORPORATED AND SHOULD NOT BE USED WITHOUT WRITTEN PERMISSION | | | | | |

9 8 7 6 5 4 3 2 1

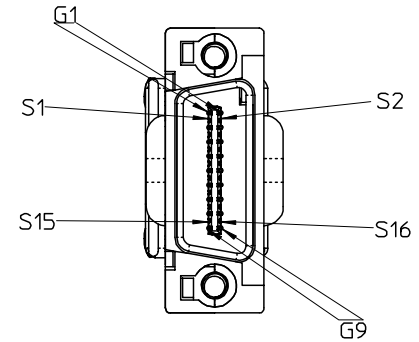
10 9 8 7 6 5 4 3 2 1

SAS 26 CKT



| | | | | | | |
|---|------|-----|---|-----|------|---|
| | Rx0+ | A2 | → | S16 | Tx0+ | |
| | Rx0- | A3 | ← | S15 | Tx0- | |
| | GND | A4 | ← | G8 | GND | |
| | Rx1+ | A5 | → | S14 | Tx1+ | |
| | Rx1- | A6 | ← | S13 | Tx1- | |
| | GND | A7 | ← | G7 | GND | |
| | Rx2+ | A8 | → | S12 | Tx2+ | L |
| | Rx2- | A9 | ← | S11 | Tx2- | A |
| S | GND | A10 | ← | G6 | GND | N |
| A | Rx3+ | A11 | → | S10 | Tx3+ | E |
| S | Rx3- | A12 | ← | S9 | Tx3- | L |
| | GND | A13 | ← | G5 | GND | I |
| 2 | GND | B13 | → | G4 | GND | N |
| 6 | Tx3- | B12 | → | S8 | Rx3- | K |
| C | Tx3+ | B11 | → | S7 | Rx3+ | 4 |
| K | GND | B10 | → | G3 | GND | X |
| T | Tx2- | B9 | → | S6 | Rx2- | |
| | Tx2+ | B8 | → | S5 | Rx2+ | |
| | GND | B7 | → | G2 | GND | |
| | Tx1- | B6 | → | S4 | Rx1- | |
| | Tx1+ | B5 | → | S3 | Rx1+ | |
| | GND | B4 | → | G1 | GND | |
| | Tx0- | B3 | → | S2 | Rx0- | |
| | Tx0+ | B2 | → | S1 | Rx0+ | |

LANE LINK 4X



NOTE: GROUNDS ARE BUSSED IN PCB

I-PASS™ IS A TRADEMARK OF MOLEX

| | | | | | | | | | | |
|--|--|-------------------------------|---------------------------------------|----------------------|----------------------------|--------------------|---|------------------------|------------------------------|--|
| ENTER DESCRIPTION EC NO: USY2007-0468 DRWN: SNAVARRO CHKD: DDOYE APPR: DDOYE | 2007/06/22 2007/06/22 2007/06/25 | QUALITY SYMBOLS ▽=0 ▽=0 | GENERAL TOLERANCES (UNLESS SPECIFIED) | | DIMENSION STYLE MM ONLY | SCALE 1:1 | DESIGN UNITS METRIC | THIRD ANGLE PROJECTION | | |
| | | | 4 PLACES ± --- ± --- | 3 PLACES ± --- ± --- | DRAWN BY KPHILL IPS | DATE 2005/09/06 | TITLE I-PASS X4 26 CKT TO LANE LINK 4X CBL ASSY PLUG TO PLUG | | | |
| | | | 2 PLACES ± 0.13 ± --- | 1 PLACE ± 0.25 ± --- | CHECKED BY T. HALL | DATE 2005/09/06 | APPROVED BY DDOYE | | | |
| | | | ANGULAR ±1/2° | | MATERIAL NO. SEE TABLE | | DATE 2005/09/06 | | DOCUMENT NO. SD-74547-200 | |

9 8 7 6 5 4 3 2 1